
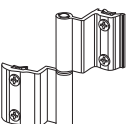
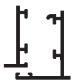


Art.   

1507M	10		
9735 9735F	50		
9835	50	