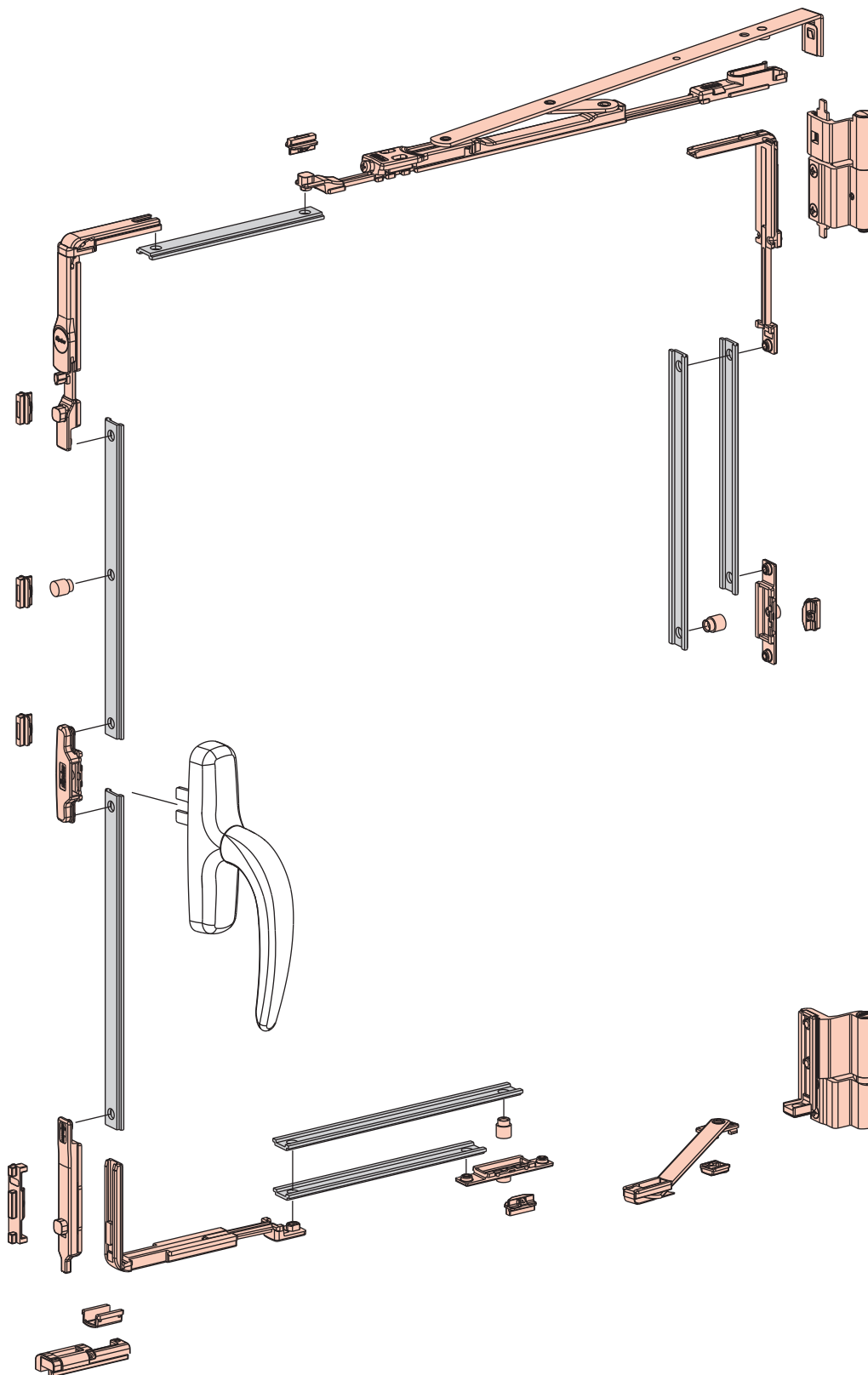
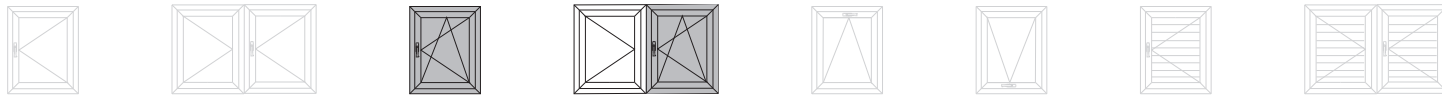



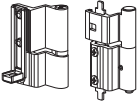

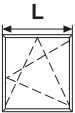



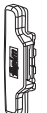
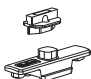
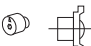



R 40



Art.			
L			
1407R 1407Ri	10 50		
1452BR 1452BRi	10 50		L=412-750
1452CR 1452CRi	10 50		L=572-1200
1452DR	10		L=826-1700
1480R 1480Ri	10 50		
1497R	10		
1559R	50		
1585R	50		
1596i6	100		
1597R	50		
3227 3227i	20 50	