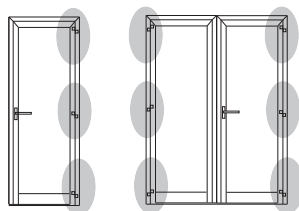
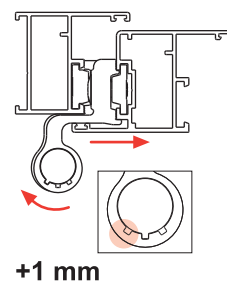
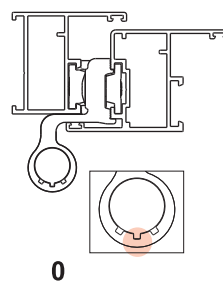
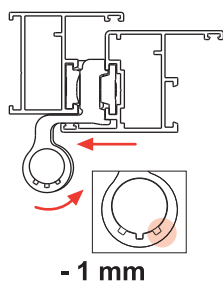
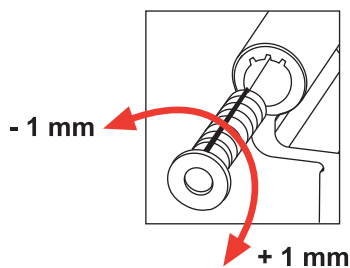
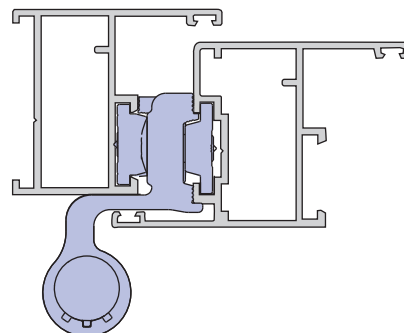
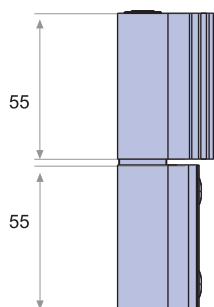


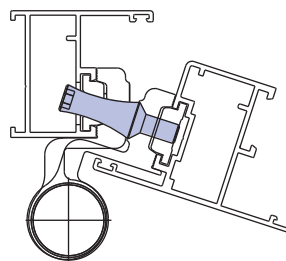
VENICE BABY

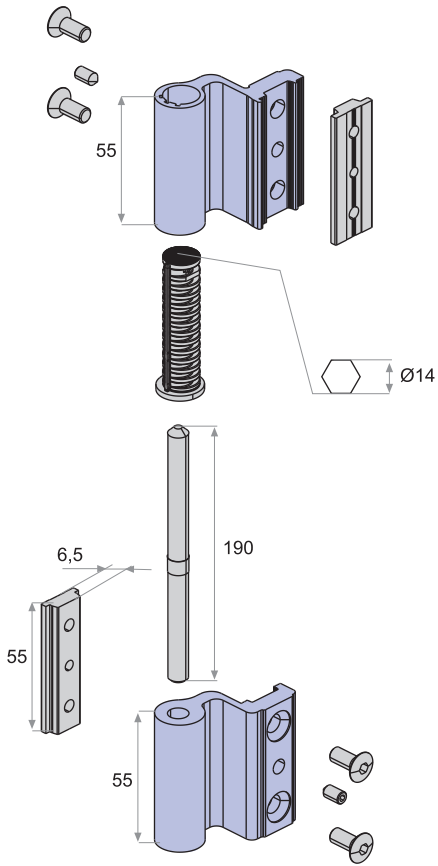
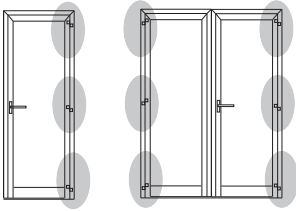






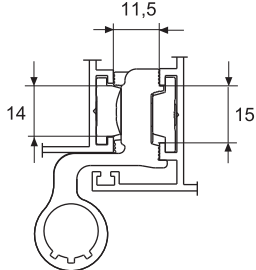
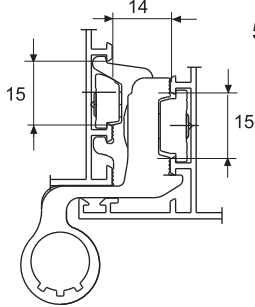
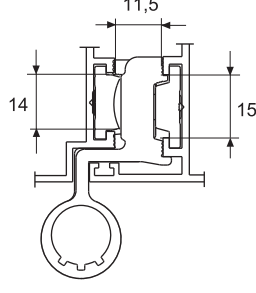
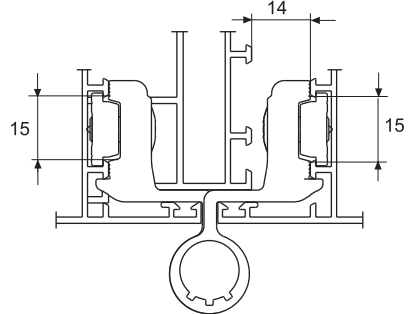
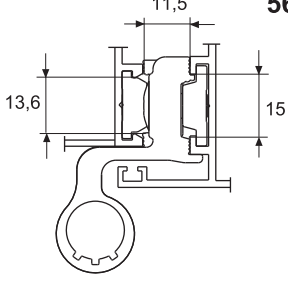
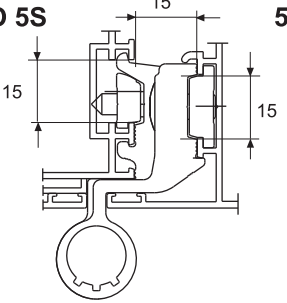
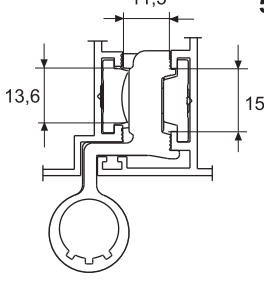
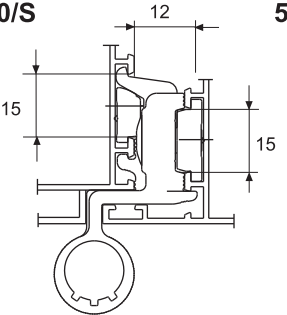
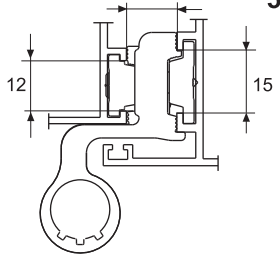
| Art. | | | |
|--------|-----|--|--|
| 5603 | 20 | | |
| 5603T | 20 | | |
| 5603A | 20 | | |
| 5603AT | 20 | | |
| 5603C | 20 | | |
| 5613 | 20 | | |
| 5613T | 20 | | |
| 5633 | 20 | | |
| 5643 | 20 | | |
| 5690 | 100 | | |



5690





|   Art. |   Art. |
|--|--|
| <p>C.E. 5603</p>  | <p>R 40 5613</p>  |
| <p>C.E. 5603T</p>  | <p>R40 5613T</p>  |
| <p>C.E. 5603A</p>  | <p>All.CO 5S 5633</p>  |
| <p>C.E. 5603AT</p>  | <p>NNC 40/S 5643</p>  |
| <p>C.E. 5603C</p>  | |